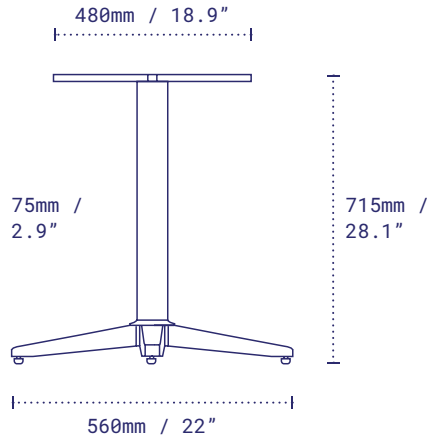


Trail 22



TRST22[CC*] : DINING HEIGHT



Trail 22 self-stabilising table base exemplifies modern simplicity. The linear, clean design and concealed componentry complements a robust construction for use in any setting.

Pictured: Trail 22 Dining Height, Sandstone Black.

DETAILS

Material	Steel – Zinc Plated Legs, Zinc Phosphate Column and Top Plate
Next-Level Protection also available	Steel – Zinc Plated Legs, Zinc Plated Column, Alodine Top Plate
Height excl. table top	715mm / 28.1"
Base diameter	560mm / 22"
Column width	75mm / 2.9"
Top plate	Fixed
Net weight	5.7kg / 12.5lbs
Max recommended table top	<input type="radio"/> 863mm / 34" <input type="checkbox"/> 762mm / 30"
Resources	no-rock.com/product/trail

PACKAGING

Carton	600 x 500 x 100mm / 23.6 x 19.6 x 3.9" x Box 1
Gross weight	6.9kg / 15.2lbs

STANDARD COLOUR RANGE

- Metallic Silver**
Code: TRST22SI
- Sandstone Black**
Code: TRST22BK

NON-STANDARD COLOUR RANGE

- Antique Bronze**
Code: TRST22AB
- Ash Grey**
Code: TRST22AG
- Jarrah Brown**
Code: TRST22JH
- Leeuwin Blue**
Code: TRST22LW
- Peppermint Green**
Code: TRST22PM
- Pindan Red**
Code: TRST22PD
- Rust**
Code: TRST22RU
- White**
Code: TRST22WH



NR MARKETING PTY LTD
NOROCK USA LLC

INFO@NO-ROCK.COM
NO-ROCK.COM

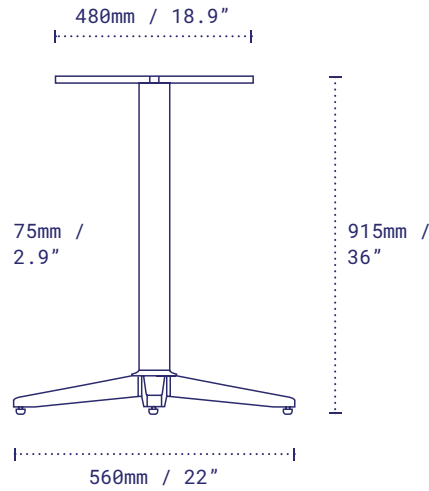
SEPTEMBER 2023

All product information is correct at the time of printing but may be subject to change without notice. For the latest information please visit our website.

Trail 22



TRST22[CC*]C : COUNTER HEIGHT



Trail 22 self-stabilising table base exemplifies modern simplicity. The linear, clean design and concealed componentry complements a robust construction for use in any setting.

Pictured: Trail 22 Dining Height, Sandstone Black.

DETAILS

Material	Steel – Zinc Plated Legs, Zinc Phosphate Column and Top Plate
Next-Level Protection also available	Steel – Zinc Plated Legs, Zinc Plated Column, Alodine Top Plate
Height excl. table top	915mm / 36" Counter
Base diameter	560mm / 22"
Column width	75mm / 2.9"
Top plate	Fixed
Net weight	6.6kg / 14.5lbs
Resources	no-rock.com/product/trail

PACKAGING

Carton	510 x 510 x 100mm / 20.0 x 20.0 x 3.9" x Box 1 83 x 84 x 900mm / 3.2 x 3.3 x 35.4" x Box 2
Gross weight	7.7kg / 16.9lbs

STANDARD COLOUR RANGE

- Metallic Silver**
Code: TRST22SIC
- Sandstone Black**
Code: TRST22BKC

NON-STANDARD COLOUR RANGE

- Antique Bronze**
Code: TRST22ABC
- Ash Grey**
Code: TRST22AGC
- Jarrah Brown**
Code: TRST22JHC
- Leeuwin Blue**
Code: TRST22LWC
- Peppermint Green**
Code: TRST22PMC
- Pindan Red**
Code: TRST22PDC
- Rust**
Code: TRST22RUC
- White**
Code: TRST22WHC



NR MARKETING PTY LTD
NOROCK USA LLC

INFO@NO-ROCK.COM
NO-ROCK.COM

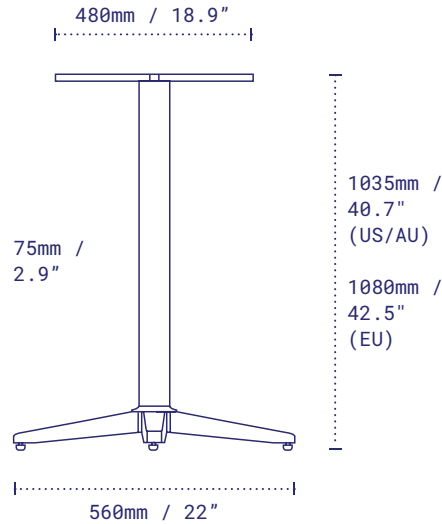
SEPTEMBER 2023

All product information is correct at the time of printing but may be subject to change without notice. For the latest information please visit our website.

Trail 22



TRST22[CC*]B : BAR HEIGHT



Trail 22 self-stabilising table base exemplifies modern simplicity. The linear, clean design and concealed componentry complements a robust construction for use in any setting.

Pictured: Trail 22 Bar Height, Sandstone Black.

DETAILS

Material	Steel – Zinc Plated Legs, Zinc Phosphate Column and Top Plate
Next-Level Protection also available	Steel – Zinc Plated Legs, Zinc Plated Column, Alodine Top Plate
Height excl. table top	1035mm / 40.7" Bar 1080mm / 42.5" Bar (EU only)
Base diameter	560mm / 22"
Column width	75mm / 2.9"
Top plate	Fixed
Net weight	6.7kg / 14.7lbs
Max recommended table top	○ 711mm / 28" □ 558mm / 22"
Resources	no-rock.com/product/trail

PACKAGING

Carton	470 x 680 x 100mm / 18.5 x 26.7 x 3.9" x Box 1 83 x 84 x 1050mm / 3.2 x 3.3 x 41.3" x Box 2
Gross weight	7.9kg / 17.4lbs

STANDARD COLOUR RANGE

- Metallic Silver**
Code: TRST22SIB
- Sandstone Black**
Code: TRST22BKB

NON-STANDARD COLOUR RANGE

- Antique Bronze**
Code: TRST22ABB
- Ash Grey**
Code: TRST22AGB
- Jarrah Brown**
Code: TRST22JHB
- Leeuwin Blue**
Code: TRST22LWB
- Peppermint Green**
Code: TRST22PMB
- Pindan Red**
Code: TRST22PDB
- Rust**
Code: TRST22RUB
- White**
Code: TRST22WHB



NR MARKETING PTY LTD
NOROCK USA LLC

INFO@NO-ROCK.COM
NO-ROCK.COM

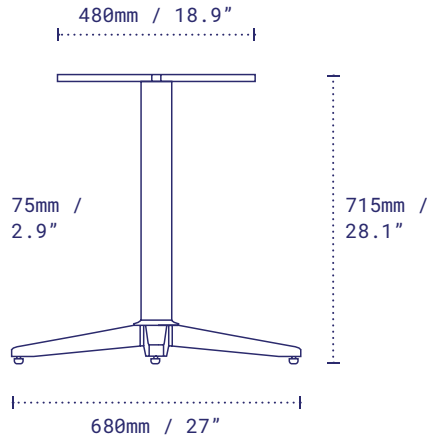
SEPTEMBER 2023

All product information is correct at the time of printing but may be subject to change without notice. For the latest information please visit our website.

Trail 27



TRST27[CC*] : DINING HEIGHT



Trail 27 self-stabilising table base exemplifies modern simplicity. The linear, clean design and concealed componentry complements a robust construction for use in any setting.

Pictured: Trail 27 Dining Height, Metallic Silver.

DETAILS

Material	Steel – Zinc Plated Legs, Zinc Phosphate Column
Next-Level Protection also available	Steel – Zinc Plated Legs, Zinc Plated Column, Alodine Top Plate
Height excl. table top	715mm / 28.1"
Base diameter	680mm / 27"
Column width	75mm / 2.9"
Top plate	Fixed
Net weight	6.2kg / 13.6lbs
Max recommended table top	<input type="radio"/> 1066mm / 42" <input type="checkbox"/> 914mm / 36"
Resources	no-rock.com/product/trail

PACKAGING

Carton	600 x 600 x 100mm / 23.6 x 23.6 x 3.9" x Box 1
Gross weight	7.7kg / 16.9lbs

STANDARD COLOUR RANGE

- Metallic Silver**
Code: TRST27SI
- Sandstone Black**
Code: TRST27BK

NON-STANDARD COLOUR RANGE

- Antique Bronze**
Code: TRST27AB
- Ash Grey**
Code: TRST27AG
- Jarrah Brown**
Code: TRST27JH
- Leeuwin Blue**
Code: TRST27LW
- Peppermint Green**
Code: TRST27PM
- Pindan Red**
Code: TRST27PD
- Rust**
Code: TRST27RU
- White**
Code: TRST27WH



NR MARKETING PTY LTD
NOROCK USA LLC

INFO@NO-ROCK.COM
NO-ROCK.COM

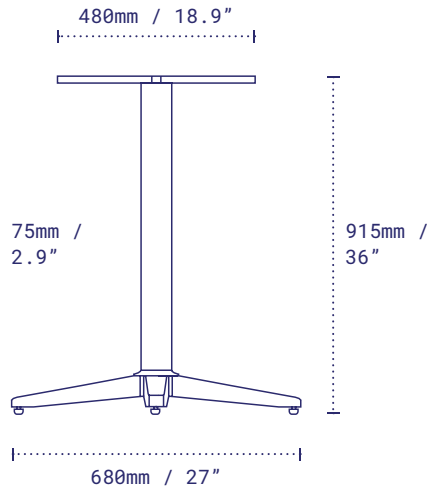
SEPTEMBER 2023

All product information is correct at the time of printing but may be subject to change without notice. For the latest information please visit our website.

Trail 27



TRST27[CC*]C : COUNTER HEIGHT



Trail 27 self-stabilising table base exemplifies modern simplicity. The linear, clean design and concealed componentry complements a robust construction for use in any setting.

Pictured: Trail 27 Dining Height, Metallic Silver.

DETAILS

Material	Steel – Zinc Plated Legs, Zinc Phosphate Column
Next-Level Protection also available	Steel – Zinc Plated Legs, Zinc Plated Column, Alodine Top Plate
Height excl. table top	915mm / 36" Counter
Base diameter	680mm / 27"
Column width	75mm / 2.9"
Top plate	Fixed
Net weight	6.9kg / 15.2lbs
Resources	no-rock.com/product/trail

PACKAGING

Carton	510 x 510 x 100mm / 20.0 x 20.0 x 3.9" x Box 1 83 x 84 x 900mm / 3.2 x 3.3 x 35.4" x Box 2
Gross weight	8.0kg / 17.6lbs

STANDARD COLOUR RANGE

- Metallic Silver**
Code: TRST27SIC
- Sandstone Black**
Code: TRST27BKC

NON-STANDARD COLOUR RANGE

- Antique Bronze**
Code: TRST27ABC
- Ash Grey**
Code: TRST27AGC
- Jarrah Brown**
Code: TRST27JHC
- Leeuwin Blue**
Code: TRST27LWC
- Peppermint Green**
Code: TRST27PMC
- Pindan Red**
Code: TRST27PDC
- Rust**
Code: TRST27RUC
- White**
Code: TRST27WHC



NR MARKETING PTY LTD
NOROCK USA LLC

INFO@NO-ROCK.COM
NO-ROCK.COM

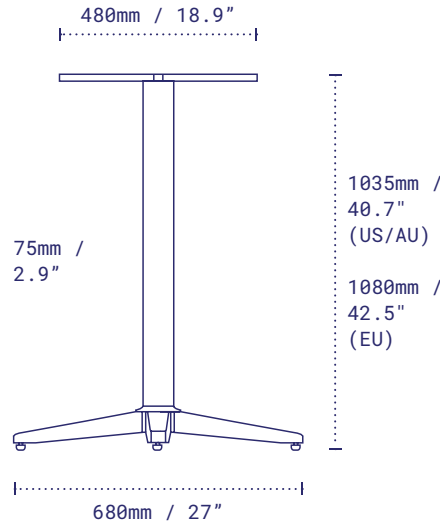
SEPTEMBER 2023

All product information is correct at the time of printing but may be subject to change without notice. For the latest information please visit our website.

Trail 27



TRST27[CC*]B : BAR HEIGHT



Trail 27 self-stabilising table base exemplifies modern simplicity. The linear, clean design and concealed componentry complements a robust construction for use in any setting.

Pictured: Trail 27 Dining Height, Metallic Silver.

DETAILS

Material	Steel – Zinc Plated Legs, Zinc Phosphate Column
Next-Level Protection	Steel – Zinc Plated Legs, Zinc Plated Column, also available Alodine Top Plate
Height	1035mm / 40.7" Bar excl. table top 1080mm / 42.5" Bar (EU only)
Base diameter	680mm / 27"
Column width	75mm / 2.9"
Top plate	Fixed
Net weight	7.3kg / 16.0 lbs
Max recommended table top	○ 914mm / 36" □ 762mm / 30"
Resources	no-rock.com/product/trail

PACKAGING

Carton	510 x 510 x 100mm / 20.0 x 20.0 x 3.9" x Box 1 83 x 84 x 1050mm / 3.2 x 3.3 x 41.3" x Box 2
Gross weight	8.5kg / 18.7lbs

STANDARD COLOUR RANGE

- Metallic Silver**
Code: TRST27SIB
- Sandstone Black**
Code: TRST27BKB

NON-STANDARD COLOUR RANGE

- Antique Bronze**
Code: TRST27ABB
- Ash Grey**
Code: TRST27AGB
- Jarrah Brown**
Code: TRST27JHB
- Leeuwin Blue**
Code: TRST27LWB
- Peppermint Green**
Code: TRST27PMB
- Pindan Red**
Code: TRST27PDB
- Rust**
Code: TRST27RUB
- White**
Code: TRST27WHB



NR MARKETING PTY LTD
NOROCK USA LLC

INFO@NO-ROCK.COM
NO-ROCK.COM

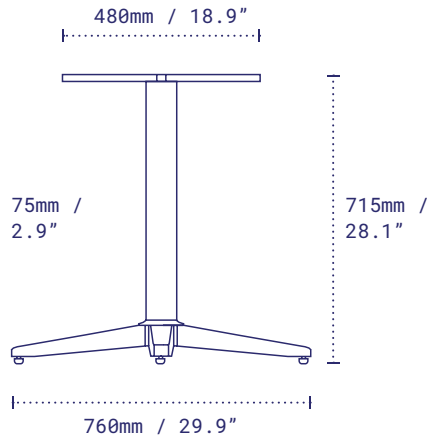
SEPTEMBER 2023

All product information is correct at the time of printing but may be subject to change without notice. For the latest information please visit our website.

Trail 30



TRST30[CC*] : DINING HEIGHT



Trail 30 self-stabilising table base exemplifies modern simplicity. The linear, clean design and concealed componentry complements a robust construction for use in any setting.

Pictured: Trail 30 Dining Height, Sandstone Black.

DETAILS

Material	Steel – Zinc Plated Legs, Zinc Phosphate Column
Next-Level Protection	Steel – Zinc Plated Legs, Zinc Plated Column, Zinc Phosphate Top Plate also available
Height	715mm / 28.1" excl. table top
Base diameter	762mm / 30"
Column width	75mm / 2.9"
Top plate	Fixed
Net weight	9.3kg / 20.5lbs
Max recommended table top	<input type="radio"/> 1219mm / 48" <input type="checkbox"/> 1066mm / 42"
Resources	no-rock.com/product/trail

PACKAGING

Carton	670 x 600 x 100mm / 25.4 x 23.6 x 3.9" x Box 1
Gross weight	10.8kg / 23.8lbs

STANDARD COLOUR RANGE

- Metallic Silver**
Code: TRST30SI
- Sandstone Black**
Code: TRST30BK

NON-STANDARD COLOUR RANGE

- Antique Bronze**
Code: TRST30AB
- Ash Grey**
Code: TRST30AG
- Jarrah Brown**
Code: TRST30JH
- Leeuwin Blue**
Code: TRST30LW
- Peppermint Green**
Code: TRST30PM
- Pindan Red**
Code: TRST30PD
- Rust**
Code: TRST30RU
- White**
Code: TRST30WH



NR MARKETING PTY LTD
NOROCK USA LLC

INFO@NO-ROCK.COM
NO-ROCK.COM

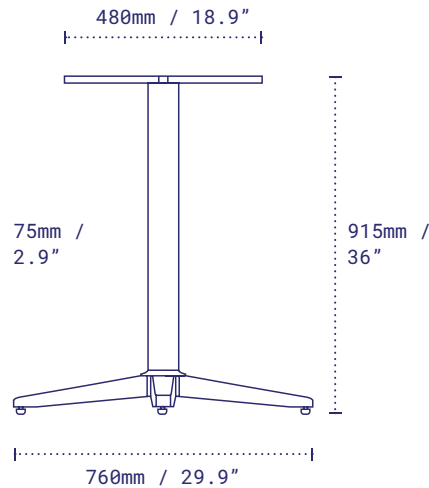
SEPTEMBER 2023

All product information is correct at the time of printing but may be subject to change without notice. For the latest information please visit our website.

Trail 30



TRST30[CC*]C : COUNTER HEIGHT



Trail 30 self-stabilising table base exemplifies modern simplicity. The linear, clean design and concealed componentry complements a robust construction for use in any setting.

Pictured: Trail 30 Dining Height, Sandstone Black.

DETAILS

Material	Steel – Zinc Plated Legs, Zinc Phosphate Column
Next-Level Protection	Steel – Zinc Plated Legs, Zinc Plated Column, Zinc Phosphate Top Plate also available
Height	915mm / 36" Counter excl. table top
Base diameter	762mm / 30"
Column width	75mm / 2.9"
Top plate	Fixed
Net weight	10.4kg / 22.9lbs
Resources	no-rock.com/product/trail

PACKAGING

Carton	670 x 600 x 100mm / 25.4 x 23.6 x 3.9" x Box 1 83 x 84 x 900mm / 3.2 x 3.3 x 35.4" x Box 2
Gross weight	11.6kg / 25.5lbs

STANDARD COLOUR RANGE

- Metallic Silver**
Code: TRST30SIC
- Sandstone Black**
Code: TRST30BKC

NON-STANDARD COLOUR RANGE

- Antique Bronze**
Code: TRST30ABC
- Ash Grey**
Code: TRST30AGC
- Jarrah Brown**
Code: TRST30JHC
- Leeuwin Blue**
Code: TRST30LWC
- Peppermint Green**
Code: TRST30PMC
- Pindan Red**
Code: TRST30PDC
- Rust**
Code: TRST30RUC
- White**
Code: TRST30WHC



NR MARKETING PTY LTD
NOROCK USA LLC

INFO@NO-ROCK.COM
NO-ROCK.COM

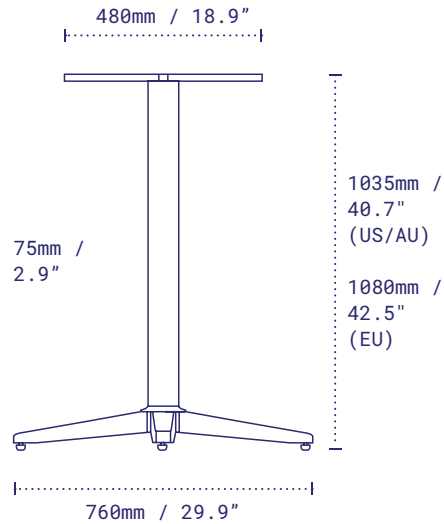
SEPTEMBER 2023

All product information is correct at the time of printing but may be subject to change without notice. For the latest information please visit our website.

Trail 30



TRST30[CC*]B : BAR HEIGHT



Trail 30 self-stabilising table base exemplifies modern simplicity. The linear, clean design and concealed componentry complements a robust construction for use in any setting.

Pictured: Trail 30 Bar Height, Sandstone Black.

DETAILS

Material	Steel – Zinc Plated Legs, Zinc Phosphate Column
Next-Level Protection	Steel – Zinc Plated Legs, Zinc Plated Column, also available Zinc Phosphate Top Plate
Height	1035mm / 40.7" Bar excl. table top 1080mm / 42.5" Bar (EU only)
Base diameter	762mm / 30"
Column width	75mm / 2.9"
Top plate	Fixed
Net weight	10.5kg / 23.1lbs
Max recommended table top	<input type="radio"/> 1066mm / 42" <input type="checkbox"/> 914mm / 36"
Resources	no-rock.com/product/trail

PACKAGING

Carton	670 x 600 x 100mm / 25.4 x 23.6 x 3.9" x Box 1 83 x 84 x 1050mm / 3.2 x 3.3 x 41.3" x Box 2
Gross weight	12.0kg / 26.5lbs

STANDARD COLOUR RANGE

- Metallic Silver**
Code: TRST30SIB
- Sandstone Black**
Code: TRST30BKB

NON-STANDARD COLOUR RANGE

- Antique Bronze**
Code: TRST30ABB
- Ash Grey**
Code: TRST30AGB
- Jarrah Brown**
Code: TRST30JHB
- Leeuwin Blue**
Code: TRST30LWB
- Peppermint Green**
Code: TRST30PMB
- Pindan Red**
Code: TRST30PDB
- Rust**
Code: TRST30RUB
- White**
Code: TRST30WHB



NR MARKETING PTY LTD
NOROCK USA LLC

INFO@NO-ROCK.COM
NO-ROCK.COM

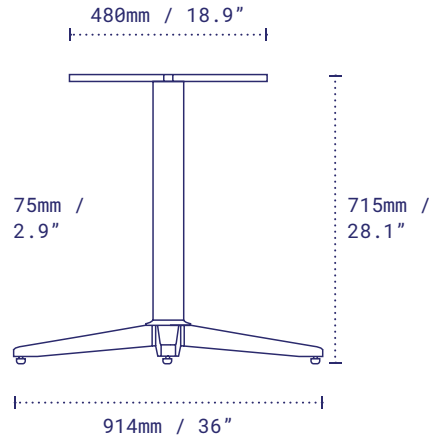
SEPTEMBER 2023

All product information is correct at the time of printing but may be subject to change without notice. For the latest information please visit our website.

Trail 36



TRST36[CC*] : DINING HEIGHT



Trail 36 self-stabilising table base exemplifies modern simplicity. The linear, clean design and concealed componentry complements a robust construction for use in any setting.

Pictured: Trail 36 Dining Height, Sandstone Black.

DETAILS

Material	Steel – Zinc Plated Legs, Zinc Phosphate Column
Next-Level Protection	Steel – Zinc Plated Legs, Zinc Plated Column, Zinc Phosphate Top Plate also available
Height	715mm / 28.1" excl. table top
Base diameter	915mm / 36"
Column width	75mm / 2.9"
Top plate	Fixed
Net weight	11.1kg / 24.4lbs
Max recommended table top	<input type="radio"/> 1371mm / 54" <input type="checkbox"/> 1219mm / 48"
Resources	no-rock.com/product/trail

PACKAGING

Carton	770 x 680 x 100mm / 30.3 x 26.7 x 3.9" x Box 1
Gross weight	12.6kg / 27.7lbs

STANDARD COLOUR RANGE

- Metallic Silver**
Code: TRST36SI
- Sandstone Black**
Code: TRST36BK

NON-STANDARD COLOUR RANGE

- Antique Bronze**
Code: TRST36AB
- Ash Grey**
Code: TRST36AG
- Jarrah Brown**
Code: TRST36JH
- Leeuwin Blue**
Code: TRST36LW
- Peppermint Green**
Code: TRST36PM
- Pindan Red**
Code: TRST36PD
- Rust**
Code: TRST36RU
- White**
Code: TRST36WH



NR MARKETING PTY LTD
NOROCK USA LLC

INFO@NO-ROCK.COM
NO-ROCK.COM

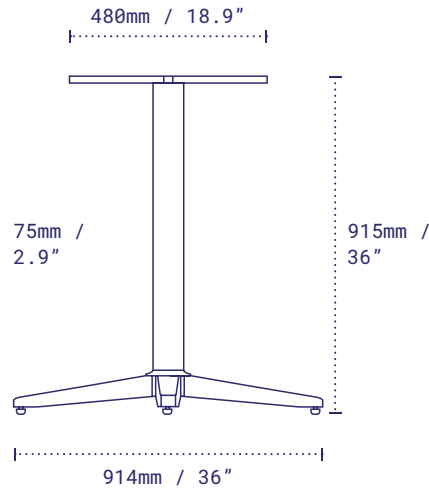
SEPTEMBER 2023

All product information is correct at the time of printing but may be subject to change without notice. For the latest information please visit our website.

Trail 36



TRST36[CC*]C : COUNTER HEIGHT



Trail 36 self-stabilising table base exemplifies modern simplicity. The linear, clean design and concealed componentry complements a robust construction for use in any setting.

Pictured: Trail 36 Dining Height, Sandstone Black.

DETAILS

Material	Steel – Zinc Plated Legs, Zinc Phosphate Column
Next-Level Protection	Steel – Zinc Plated Legs, Zinc Plated Column, Zinc Phosphate Top Plate also available
Height	915mm / 36" Counter excl. table top
Base diameter	915mm / 36"
Column width	75mm / 2.9"
Top plate	Fixed
Net weight	11.7kg / 25.8lbs
Resources	no-rock.com/product/trail

PACKAGING

Carton	680 x 680 x 100mm / 26.7 x 26.7 x 3.9" x Box 1 83 x 84 x 900mm / 3.2 x 3.3 x 35.4" x Box 2
Gross weight	14.1kg / 31.1lbs

STANDARD COLOUR RANGE

- Metallic Silver**
Code: TRST36SIC
- Sandstone Black**
Code: TRST36BKC

NON-STANDARD COLOUR RANGE

- Antique Bronze**
Code: TRST36ABC
- Ash Grey**
Code: TRST36AGC
- Jarrah Brown**
Code: TRST36JHC
- Leeuwin Blue**
Code: TRST36LWC
- Peppermint Green**
Code: TRST36PMC
- Pindan Red**
Code: TRST36PDC
- Rust**
Code: TRST36RUC
- White**
Code: TRST36WHC



NR MARKETING PTY LTD
NOROCK USA LLC

INFO@NO-ROCK.COM
NO-ROCK.COM

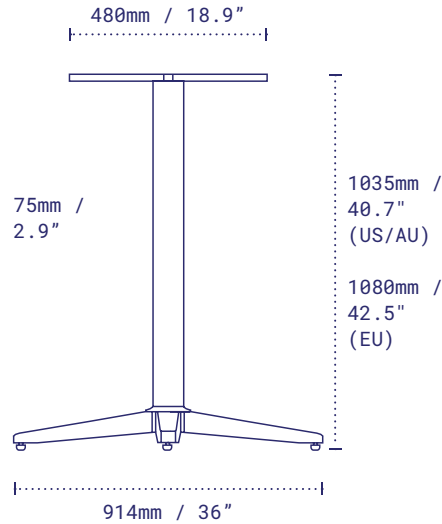
SEPTEMBER 2023

All product information is correct at the time of printing but may be subject to change without notice. For the latest information please visit our website.

Trail 36



TRST36[CC*]B : BAR HEIGHT



Trail 36 self-stabilising table base exemplifies modern simplicity. The linear, clean design and concealed componentry complements a robust construction for use in any setting.

Pictured: Trail 36 Bar Height, Sandstone Black.

DETAILS

Material	Steel – Zinc Plated Legs, Zinc Phosphate Column
Next-Level Protection	Steel – Zinc Plated Legs, Zinc Plated Column, Zinc Phosphate Top Plate also available
Height	1035mm / 40.7" Bar excl. table top 1080mm / 42.5" Bar (EU only)
Base diameter	915mm / 36"
Column width	75mm / 2.9"
Top plate	Fixed
Net weight	12.2kg / 26.8lbs
Max recommended table top	<input type="radio"/> 1066mm / 42" <input type="checkbox"/> 965mm / 38"
Resources	no-rock.com/product/trail

PACKAGING

Carton	680 x 680 x 100mm / 26.7 x 26.7 x 3.9" x Box 1 83 x 84 x 1020mm / 3.2 x 3.3 x 40.1" x Box 2
Gross weight	14.7kg / 32.4lbs

STANDARD COLOUR RANGE

- Metallic Silver**
Code: TRST36SIB
- Sandstone Black**
Code: TRST36BKB

NON-STANDARD COLOUR RANGE

- Antique Bronze**
Code: TRST36ABB
- Ash Grey**
Code: TRST36AGB
- Jarrah Brown**
Code: TRST36JHB
- Leeuwin Blue**
Code: TRST36LWB
- Peppermint Green**
Code: TRST36PMB
- Pindan Red**
Code: TRST36PDB
- Rust**
Code: TRST36RUB
- White**
Code: TRST36WHB



NR MARKETING PTY LTD
NOROCK USA LLC

INFO@NO-ROCK.COM
NO-ROCK.COM

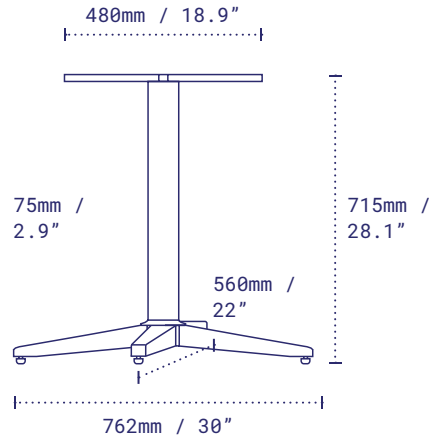
SEPTEMBER 2023

All product information is correct at the time of printing but may be subject to change without notice. For the latest information please visit our website.

Trail 22x30



TRST2230[CC*] : DINING HEIGHT



Trail 22x30 self-stabilising table base ensures a smooth experience for booth seating requiring rectangular tabletops. Trail 22x30 seamlessly complements the entire NOROCK range while perfectly matching our other Trail bases.

Pictured: Trail 22x30 Dining Height, Sandstone Black.

DETAILS

Material	Steel – Zinc Plated Legs, Zinc Phosphate Column and Top Plate
Next-Level Protection also available	Steel – Zinc Plated Legs, Zinc Plated Column, Zinc Phosphate Top Plate
Height excl. table top	715mm / 28.1"
Base diameter	560 x 762mm / 22 x 30"
Column width	75mm / 2.9"
Top plate	Fixed
Net weight	9.6kg / 21.2lbs
Max recommended table top	700 x 1220mm - 28 x 48"
Resources	no-rock.com/product/trail

PACKAGING

Carton	570 x 640 x 100mm / 22 x 25 x 4" x Box 1
Gross weight	10.5kg / 23.1lbs

STANDARD COLOUR RANGE

- Metallic Silver**
Code: TRST2230SI
- Sandstone Black**
Code: TRST2230BK

NON-STANDARD COLOUR RANGE

- Antique Bronze**
Code: TRST2230AB
- Ash Grey**
Code: TRST2230AG
- Jarrah Brown**
Code: TRST2230JH
- Leeuwin Blue**
Code: TRST2230LW
- Peppermint Green**
Code: TRST2230PM
- Pindan Red**
Code: TRST2230PD
- Rust**
Code: TRST2230RU
- White**
Code: TRST2230WH



NR MARKETING PTY LTD
NOROCK USA LLC

INFO@NO-ROCK.COM
NO-ROCK.COM

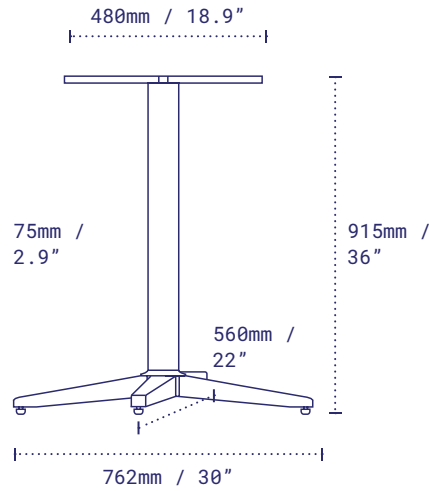
SEPTEMBER 2023

All product information is correct at the time of printing but may be subject to change without notice. For the latest information please visit our website.

Trail 22x30



TRST2230[CC*]C : COUNTER HEIGHT



Trail 22x30 self-stabilising table base ensures a smooth experience for booth seating requiring rectangular tabletops. Trail 22x30 seamlessly complements the entire NOROCK range while perfectly matching our other Trail bases.

Pictured: Trail 22x30 Dining Height, Sandstone Black.

DETAILS

Material	Steel – Zinc Plated Legs, Zinc Phosphate Column and Top Plate
Next-Level Protection	Steel – Zinc Plated Legs, Zinc Plated Column, also available Zinc Phosphate Top Plate
Height	915mm / 36" Counter excl. table top
Base diameter	560 x 762mm / 22 x 30"
Column width	75mm / 2.9"
Top plate	Fixed
Net weight	10.2kg / 22.5lbs
Resources	no-rock.com/product/trail

PACKAGING

Carton	470 x 680 x 100mm / 18.5 x 26.7 x 3.9" x Box 1 83 x 84 x 900mm / 3.2 x 3.3 x 35.4" x Box 2
Gross weight	11.4kg / 25.1lbs

STANDARD COLOUR RANGE

- Metallic Silver**
Code: TRST2230SIC
- Sandstone Black**
Code: TRST2230BKC

NON-STANDARD COLOUR RANGE

- Antique Bronze**
Code: TRST2230ABC
- Ash Grey**
Code: TRST2230AGC
- Jarrah Brown**
Code: TRST2230JHC
- Leeuwin Blue**
Code: TRST2230LWC
- Peppermint Green**
Code: TRST2230PMC
- Pindan Red**
Code: TRST2230PDC
- Rust**
Code: TRST2230RUC
- White**
Code: TRST2230WHC



NR MARKETING PTY LTD
NOROCK USA LLC

INFO@NO-ROCK.COM
NO-ROCK.COM

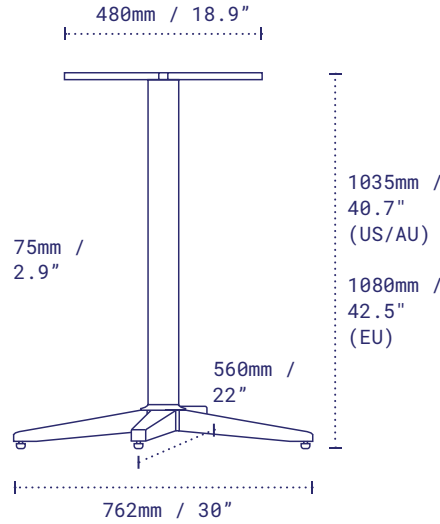
SEPTEMBER 2023

All product information is correct at the time of printing but may be subject to change without notice. For the latest information please visit our website.

Trail 22x30



TRST2230[CC*]B : BAR HEIGHT



Trail 22x30 self-stabilising table base ensures a smooth experience for booth seating requiring rectangular tabletops. Trail 22x30 seamlessly complements the entire NOROCK range while perfectly matching our other Trail bases.

Pictured: Trail 22x30 Dining Height, Sandstone Black.

DETAILS

Material	Steel – Zinc Plated Legs, Zinc Phosphate Column and Top Plate
Next-Level Protection	Steel – Zinc Plated Legs, Zinc Plated Column, also available Zinc Phosphate Top Plate
Height	1035mm / 40.7" Bar excl. table top 1080mm / 42.5" Bar (EU only)
Base diameter	560 x 762mm / 22 x 30"
Column width	75mm / 2.9"
Top plate	Fixed
Net weight	10.7kg / 23.5lbs
Max recommended table top	609 x 914mm / 24 x 36"
Resources	no-rock.com/product/trail

PACKAGING

Carton	470 x 680 x 100mm / 19 x 27 x 4" x Box 1 83 x 84 x 1050mm / 3 x 3 x 41" x Box 2
Gross weight	11.9kg / 26.2lbs

STANDARD COLOUR RANGE

- Metallic Silver**
Code: TRST2230SIB
- Sandstone Black**
Code: TRST2230BKB

NON-STANDARD COLOUR RANGE

- Antique Bronze**
Code: TRST2230ABB
- Ash Grey**
Code: TRST2230AGB
- Jarrah Brown**
Code: TRST2230JHB
- Leeuwin Blue**
Code: TRST2230LWB
- Peppermint Green**
Code: TRST2230PMB
- Pindan Red**
Code: TRST2230PDB
- Rust**
Code: TRST2230RUB
- White**
Code: TRST2230WHB



NR MARKETING PTY LTD
NOROCK USA LLC

INFO@NO-ROCK.COM
NO-ROCK.COM

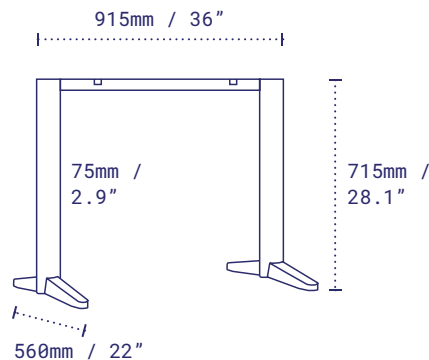
SEPTEMBER 2023

All product information is correct at the time of printing but may be subject to change without notice. For the latest information please visit our website.

Trail T-Base



TTST22[CC*] : DINING HEIGHT



The Trail twin table base offers the NOROCK patented self-stabilising function for your larger, rectangular tabletops. Perfectly matches with all Trail bases and complementing other NOROCK designs. The Trail T-Base is compliant with the Americans with Disabilities Act Standards for Accessible Design (ADA).

Pictured: Trail T-Base Dining Height, Sandstone Black.

DETAILS

Material	Steel – Zinc Plated Legs and Columns, Zinc Phosphate Frame, Zinc Phosphate Top Plates
Next-Level Protection also available	Steel – Zinc Plated Legs and Columns, Zinc Phosphate Frame, Zinc Phosphate Top Plates
Height excl. table top	715mm / 28.1"
Base diameter	915 x 560mm / 36 x 22"
Column width	75mm / 2.9"
Top plate	Fixed
Net weight	17.6kg / 38.8lbs
Max recommended table top	812 x 1676mm / 32 x 66"
Resources	no-rock.com/product/trail-t-base

PACKAGING

Carton	930 x 730 x 110mm / 36.6 x 28.7 x 4.3" x Box 1
Gross weight	19.5kg / 42.9lbs

STANDARD COLOUR RANGE

- Metallic Silver**
Code: TTST22SI
- Sandstone Black**
Code: TTST22BK

NON-STANDARD COLOUR RANGE

- Antique Bronze**
Code: TTST22AB
- Ash Grey**
Code: TTST22AG
- Jarrah Brown**
Code: TTST22JH
- Leeuwin Blue**
Code: TTST22LW
- Peppermint Green**
Code: TTST22PM
- Pindan Red**
Code: TTST22PD
- Rust**
Code: TTST22RU
- White**
Code: TTST22WH



NR MARKETING PTY LTD
NOROCK USA LLC

INFO@NO-ROCK.COM
NO-ROCK.COM

SEPTEMBER 2023

All product information is correct at the time of printing but may be subject to change without notice. For the latest information please visit our website.